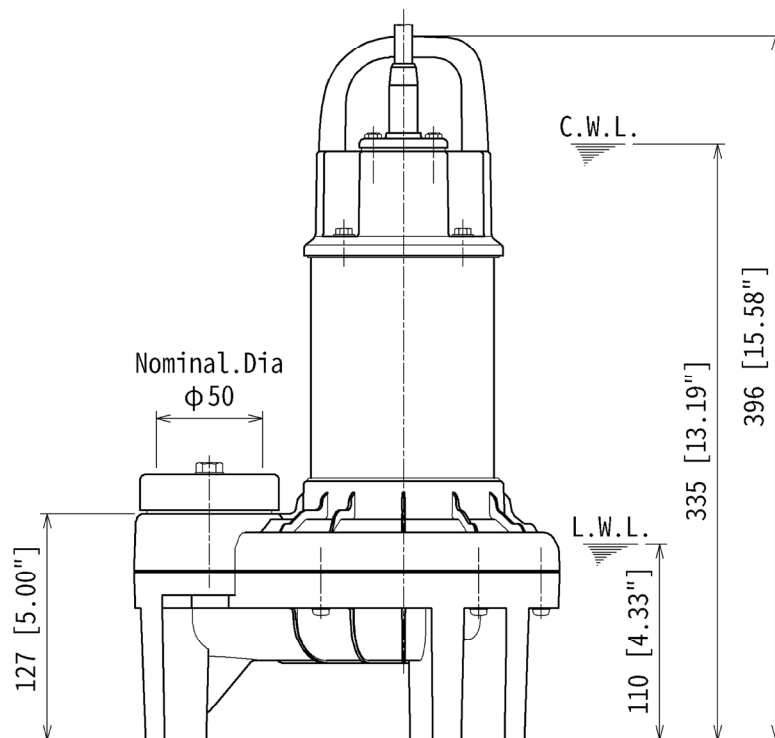
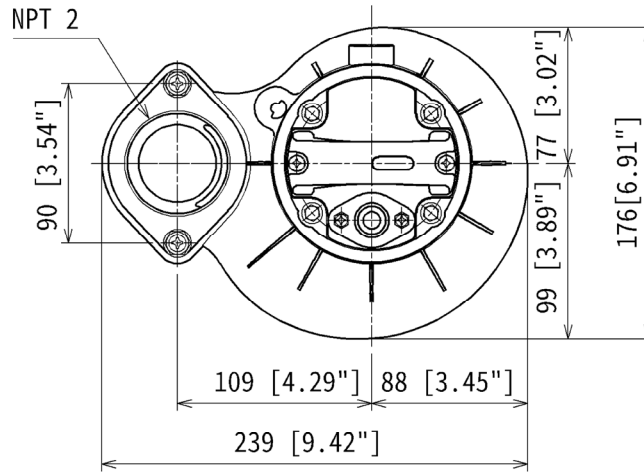


DIMENSION DRAWING		No.	No. A-30196-16US
TYPE Submersible Resin-made Wastewater Pump		MODEL 2-PN	

Approximate Weight(※)
12.3lbs

※excluding cable



C.W.L.:Continuous running Water Level
L.W.L.:Lowest running Water Level